

HRB

8XXX-Series

Low-profile hydraulic release bearing

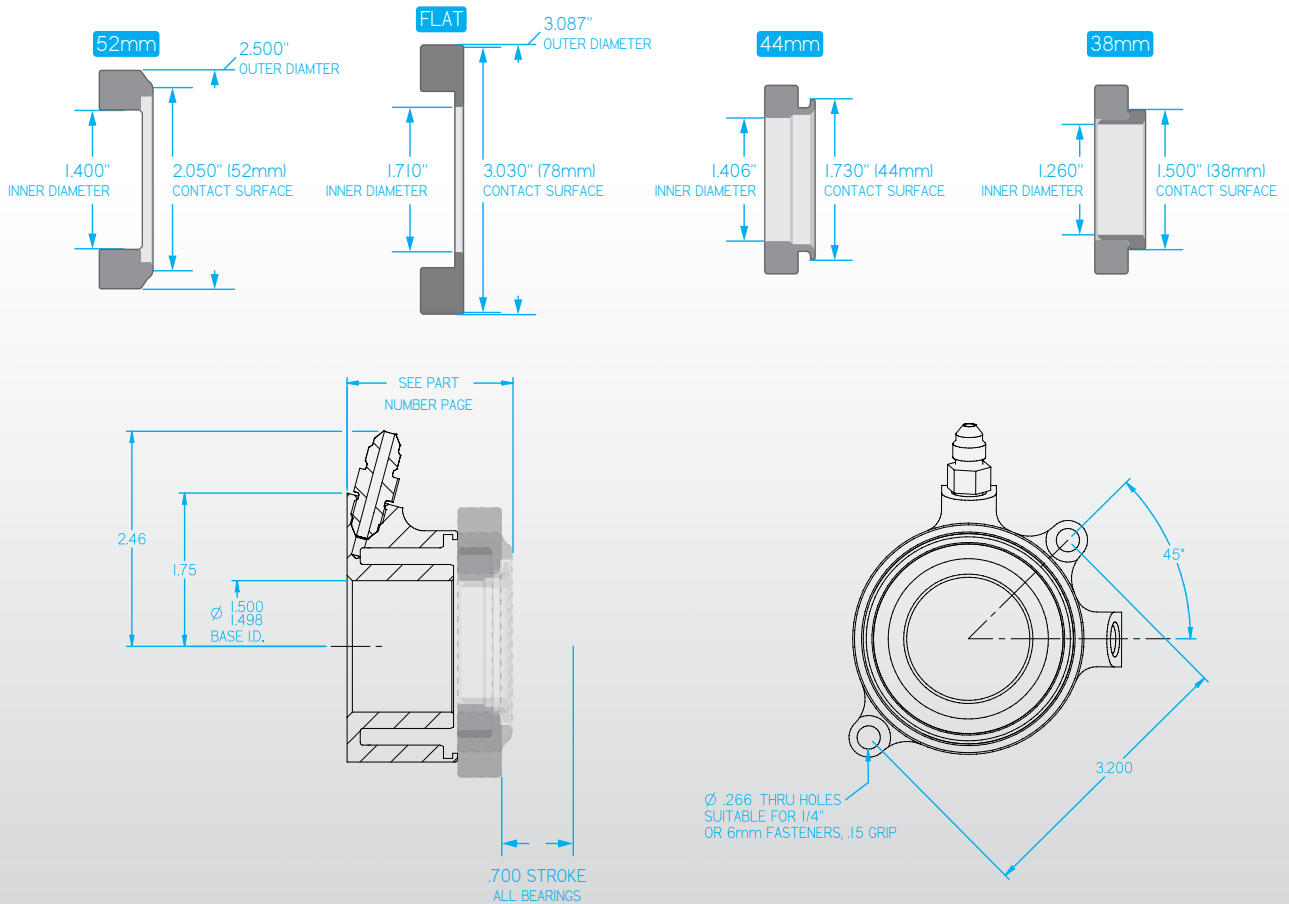


Mount:	2-bolt pattern
Body & Piston Material:	Billet aluminum
Piston Area:	1.215 in² (788mm²)
Max Stroke:	.700" (17.8mm)
Ports:	AN-3 (3/8"-24)
Included in kit:	AN-3 fittings (2)

Typical Applications

- Bulkhead-mounted inside transmissions or bellhousings

Reference Drawing



HRB Details



8000-Series

Contact: **2.05" (52mm)**
 Type: **Radius-face bearing**
 Weight: **.85 lbs**
 Application: **5.5" - 8.5" clutches**

52mm	
Part Number	Overall Height
60-8000	2.05" (52.0mm)



8100-Series

Contact: **1.71" - 3.03" (43.4mm - 77.0mm)**
 Type: **Flat-face bearing**
 Weight: **.95 lbs**
 Application: **8.5" - 11.0" bent finger clutches**

Flat-Faced	
Part Number	Overall Height
60-8100	1.79" (45.5mm)



82XX-Series

Contact: **1.75" (44mm)**
 Type: **Radius-face bearing**
 Weight: **.70 lbs (varies by p/n)**
 Application: **5.5" - 7.25" clutches**

44mm		
Part Numbers	Overall Height	
	with shim	without shim
60-8200	1.87" (47.5mm)	1.82" (46.2mm)
60-8210	1.97" (50.0mm)	1.92" (48.8mm)
60-8220	2.07" (52.3mm)	2.02" (51.3mm)
60-8230	2.17" (55.1mm)	2.12" (53.8mm)
60-8240	2.27" (57.7mm)	2.22" (56.4mm)
60-8250	2.37" (60.2mm)	2.32" (58.9mm)
60-8260	2.47" (62.7mm)	2.42" (61.5mm)
60-8270	2.57" (65.3mm)	2.52" (64.0mm)
60-8280	2.67" (67.8mm)	2.62" (66.5mm)
60-8290	2.77" (70.4mm)	2.72" (69.0mm)



83XX-Series

Contact: **1.50" (38mm)**
 Type: **Radius-face bearing**
 Weight: **.75 lbs (varies by p/n)**
 Application: **4.5" - 5.5" clutches**

38mm		
Part Numbers	Overall Height	
	with shim	without shim
60-8300	1.87" (47.5mm)	1.82" (46.2mm)
60-8310	1.97" (50.0mm)	1.92" (48.8mm)
60-8320	2.07" (52.3mm)	2.02" (51.3mm)
60-8330	2.17" (55.1mm)	2.12" (53.8mm)
60-8340	2.27" (57.7mm)	2.22" (56.4mm)
60-8350	2.37" (60.2mm)	2.32" (58.9mm)
60-8360	2.47" (62.7mm)	2.42" (61.5mm)
60-8370	2.57" (65.3mm)	2.52" (64.0mm)
60-8380	2.67" (67.8mm)	2.62" (66.5mm)
60-8390	2.77" (70.4mm)	2.72" (69.0mm)

HRB comes from Tilton factory with shim installed in piston under the bearing. Shim can be removed by customer to gain .050" (1.3mm) additional clearance.